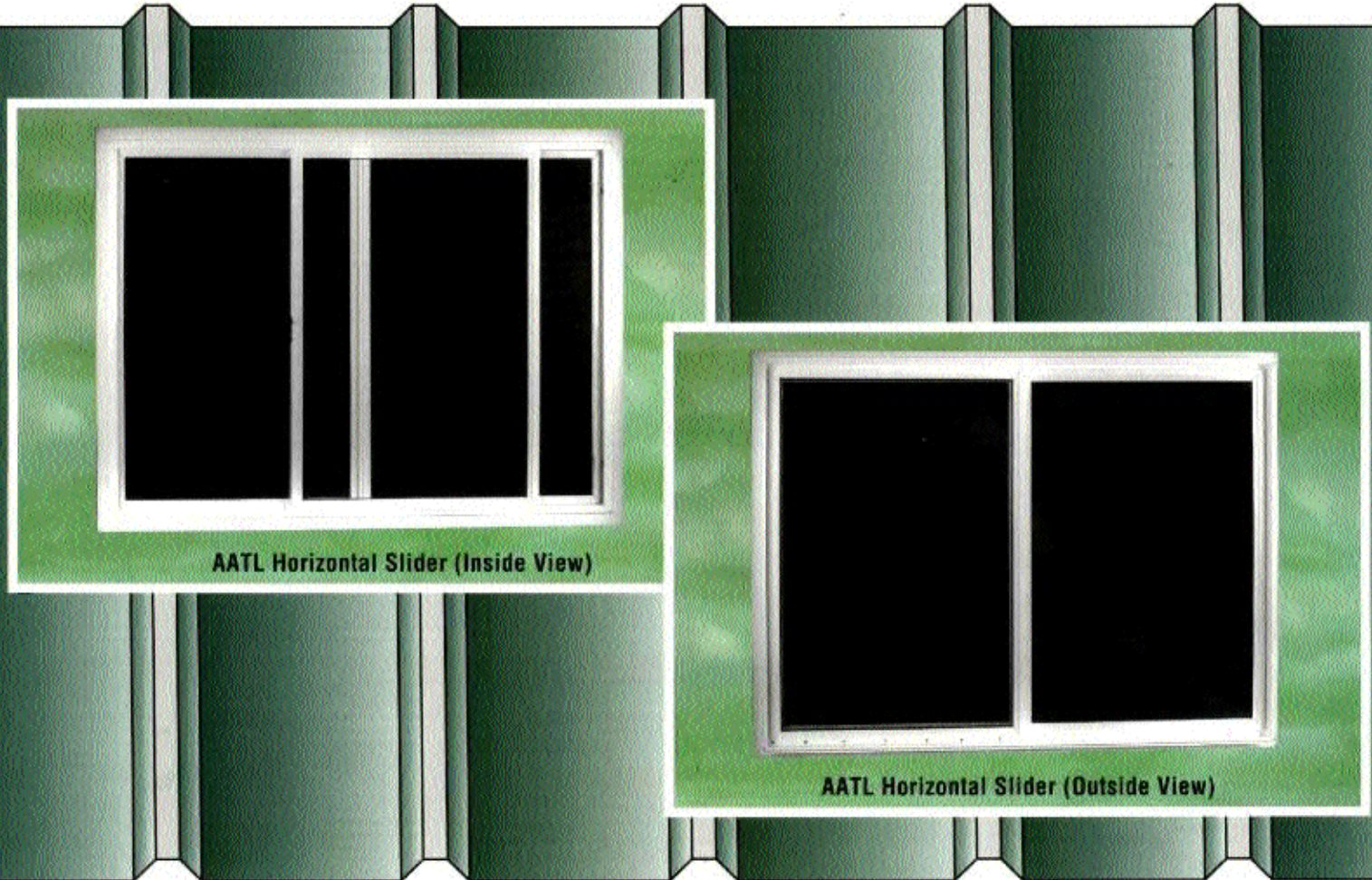


DESIGNED SPECIFICALLY FOR THE METAL CLAD BUILDING INDUSTRY



AATL Horizontal Slider (Inside View)

AATL Horizontal Slider (Outside View)

AATL

All Aluminum Window

PLYCO
CORPORATION

Elkhart Lake, WI 53020

USA
800-558-5895
Fax 800-257-5926

INTERNATIONAL
920-876-3611
Fax 920-876-3527

Builders in need of a window that is easy to install and looks great after installation will like the AATL line from Plyco!

This window is cartoned for easy handling in warehouse, for shipping, and by the crew. The window can be made in standard sizes to meet your demands in crystal clear glass glazing or impact resistant acrylic glazing. The AATL series is adaptable to many utility installations such as equipment sheds, residential garages, and industrial buildings. Not recommended for commercial, residential, or institutional use.

FEATURES AND BENEFITS

- Available in Self-Flashing or Ready to Accept "J" Trim
Self Flashing Benefits:
 - Outside fin designed to cover up to 1-1/8" profiles
 - Eliminates additional exterior trims
 - Improves finished appearance hiding the cut edge of the exterior sheeting
- Built-in Nailing Flange Speeds Installation
- Strong All Aluminum Frame and Sash
- Deluxe Lock and Reinforced Meeting Rail
 - Spring loaded flip latch for added security
 - Standard on all slider units
- Packaged 2 per Carton to Reduce Damage



Standard Sizes - In White, Bronze or Chocolate:

3618 R.D. 36-3/4" x 18-3/4"	4425 R.D. 43-1/2" x 25-1/2"
3625 R.D. 36-3/4" x 25-1/2"	4432 R.D. 43-1/2" x 32-3/8"
3636 R.D. 36-3/4" x 36-3/4"	4836 R.D. 47-7/8" x 35-7/8"

WINDOW GLAZING OPTIONS:

Acrylic: Extruded from acrylic molding pellets, the manufacturer certifies and guarantees that Plaskolite will show no appreciable effect of weather and no significant loss of physical performance for a period of 20 years of outdoor exposure. Acrylic has 25% the heat loss of glass and is very hard to break.

Glass: Single strength AWG Standard glass for crystal clear visibility.

Screen: Standard on exterior units.

Other Window Applications

The exterior AATL Trimline window can be supplemented with a second similar interior window to provide an energy-saving double window installation.

With the ever-increasing cost of energy, many utility buildings are constructed with fully insulated walls. The Trimline Insulated Series, with inside and outside units, complements these buildings by assuring a weathertight window with air space sufficient to reduce cold penetration. The inside unit is supplied without screen or lock. Sizes and rough openings are identical to the Trimline Series. Packaged 1 set per carton.

Flange Out: Self-Flashing Exterior Frame and Flush-Mount Interior Frame

Exterior with Flange
 White
 Chocolate
 Bronze



Interior without Flange
 White Only

for installations that do not have corrugated metal inside liners

Flange In and Out: Self-Flashing Exterior and Interior Frames

Exterior with Flange
 White
 Chocolate
 Bronze



Interior with Flange
 White
 Chocolate
 Bronze

for corrugated metal on each side

No Flange: Flush Mount Exterior and Interior Frames

Exterior without Flange
 White Only



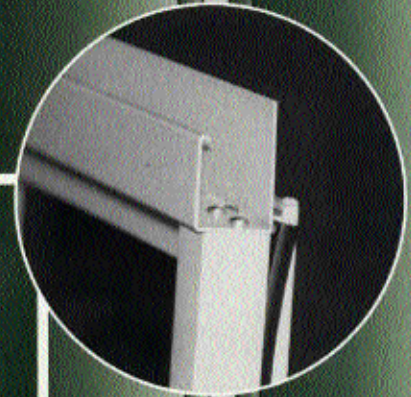
Interior without Flange
 White Only

for smooth finish walls inside and out

Trim Line WINDOWS

ALUMINUM FRAME WINDOWS with Step-Saver Installation System

THE WINDOW YOU INSTALL AFTER THE METAL SIDING IS IN PLACE



SS-AATL Horizontal Slider

DESIGNED SPECIFICALLY FOR THE METAL CLAD BUILDING INDUSTRY

SS-AATL

Step Saver All Aluminum Trimline Windows

PLYCO
CORPORATION

Eikhart Lake, WI 53020

USA
800-558-5895
Fax 800-257-5926

INTERNATIONAL
920-876-3611
Fax 920-876-3527

Distributed by:

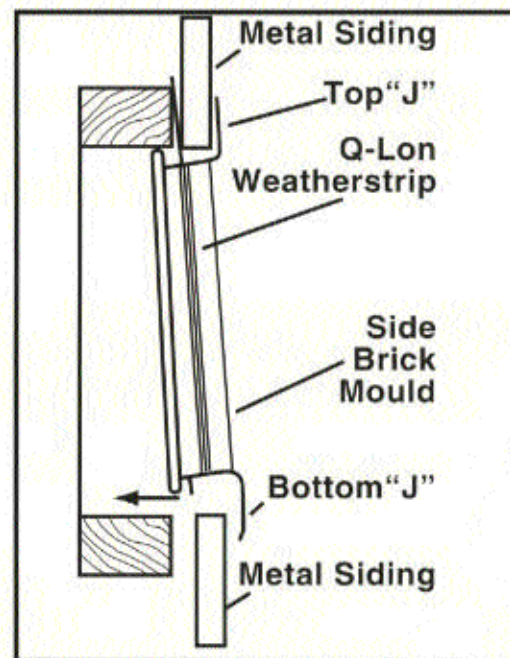
THE WINDOW YOU INSTALL AFTER THE METAL SIDING IS IN PLACE -- Helps eliminate difficult cutting and fitting of the corrugated steel siding around the window. The Step Saver feature assures a tighter fit and more weather-resistant installation. The window is cartoned for easy handling by warehouse, shipping, and installers. The windows are offered in standard sizes with crystal clear glass glazing or impact resistant acrylic glazing. The SS-AATL series is adaptable to many types of utility and light commercial buildings. Not recommended for commercial, residential, or institutional buildings.

FEATURES AND BENEFITS

- 1 Available with Horizontal "J" Trim Top and Bottom that Allows Nail Fin to be Inserted Behind the Corrugated Steel Siding Above Window Then Set Bottom "J" Over Steel Siding
 - J-Trim designed to accept up to 1-1/8" profiles
 - Eliminates additional exterior trims
 - Provides a More Attractive Trim Appearance than Standard J-Trim
 - 2 Side Trim is a Brick Mould Type that Fits Over the Corrugated Steel Siding Flat Portion and has Q-Lon Weatherstripping Installed to Seal Out Weather
 - 3 Strong Pre-Finished All Aluminum Frame and Sash
 - Provides Years of Maintenance-Free Life
 - Attractive Polyester Bright White Paint Finish
 - 4 Deluxe Lock and Reinforced Meeting Rail
 - Spring loaded flip latch for added security
 - Standard on all slider units
 - 5 Packaged 2 per Carton*
 - Reduces damage in handling
 - Easy Handling in Warehouse and Shipping
- *Note: Model No. 4432 Packaged One per Carton

INSTALLATION

1. Determine placement of window on wall, allowing at least 2" of flat steel on each side.
2. Frame opening for window.
3. Cut flat steel for top and bottom J-Trim.
4. Cut corrugated steel siding based on rough opening for window.
5. Slide top nail fin behind top steel and lower window over bottom steel.
6. Nail through sheet steel into top nail fin.
7. Caulk four corner cuts.



Standard Sizes - In White:

- SAATL-3618 R.O. 36-3/4" x 18-3/4"
- SAATL-3625 R.O. 36-3/4" x 25-1/2"
- SAATL-4425 R.O. 43-1/2" x 25-1/2"
- SAATL-4432 R.O. 43-1/2" x 32-3/8"

WINDOW GLAZING OPTIONS:

Acrylic: Extruded from acrylic molding pellets, the manufacturer certifies and guarantees that Plaskolite will show no significant loss of physical performance for a period of 20 years of outdoor exposure. Acrylic has 25% of the heat loss of glass and is very hard to break.

Glass: Single strength AWG Standard glass for crystal clear visibility.

Screen: Standard on exterior units.